



V2801P

1*XPON+1GE Built-in ONT(86 Type)

Key Features:

- High performance chip
- IPv4/IPv6 Stack
- Guaranteed QoS
- Compatible with 86-Type Panel

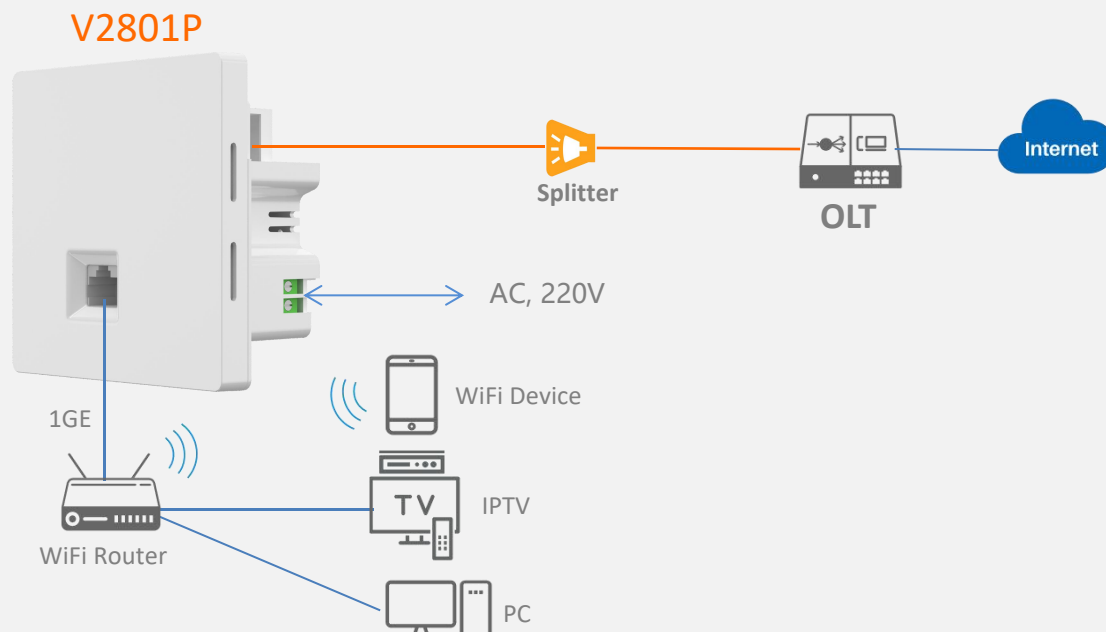
Introduction:

V2801P (1*XPON+1GE Built-in ONT(86 Type)) is a broadband access device specially designed to meet the needs of fixed network operators for FTTH. The panel-type ONU can be easily installed in 86-type electrical boxes on enterprise campuses.

The ONT is based on high-performance chip solutions, supports XPON dual-mode technology (EPON and GPON), and also supports Layer 2/Layer 3 functions, providing data service for carrier-grade FTTH applications. In addition, the ONT also supports the OAM/OMCI protocol, and we can configure or manage various services of the ONT on the VSOL OLT.

The ONT has high reliability, is easy to manage and maintain, and has QoS guarantees for various services. It conforms to a series of international technical standards such as IEEE802.3ah and ITU-T G.984.

Interface Chart:



○ Hardware Parameter

Dimension	86mm×86mm×49mm(L×W×H)
Net weight	N/A
Operating condition	Operating temp: -10 ~ +55°C Operating humidity: 5 ~ 95% (non-condensing)
Storing condition	Storing temp: -40 ~ +70°C Storing humidity: 5 ~ 95% (non-condensing)
Power supply	100 ~ 240V AC, 50/60Hz
Interface	1GE
Indicators	PWR, PON, LOS, LAN1

○ Interface Parameter

PON interface	<ul style="list-style-type: none"> • 1 XPON port(EPON PX20+&GPON Class B+) • SC single mode, SC/UPC connector • TX optical power: 0~+4dBm • RX sensitivity: -27dBm • Overload optical power: -3dBm(EPON) or -8dBm(GPON) • Transmission distance: 20KM • Wavelength: TX 1310nm, RX1490nm
User interface	• 1 × GE, Auto-negotiation,RJ45 ports

○ Function Data

XPON Mode	Dual mode,Auto-access to EPON/GPON OLT
Uplink Mode	Bridging and Routing Mode
Abnormal protection	Detecting Rogue ONU, Hardware Dying Gasp
Firewall	DDOS, Filtering Based on ACL/MAC/URL

○ Function Data

Basic	<ul style="list-style-type: none"> • Support MPCP discover&register • Support authentication Mac/Loid/Mac+Loid • Support Triple Churning • Support DBA bandwidth • Support auto-detecting, auto-configuration, and auto firmware upgrade • Support SN/Psw/Loid/Loid+Psw authentication
Alarm	<ul style="list-style-type: none"> • Support Dying Gasp • Support Port Loop Detect • Support Eth Port Los
LAN	<ul style="list-style-type: none"> • Support Port rate limiting • Support Loop detection • Support Flow control • Support Storm control
VLAN	<ul style="list-style-type: none"> • Support VLAN tag mode • Support VLAN transparent mode • Support VLAN trunk mode(max 8 vlans) • Support VLAN 1:1 translation mode(≤8 vlans) • Auto VLAN detection
Multicast	<ul style="list-style-type: none"> • Support IGMPv1/v2/Snooping • Max Multicast vlan 8 • Max Multicast Group 64
QOS	<ul style="list-style-type: none"> • Support 4 queues • Support SP and WRR • Support 802.1P
L3	<ul style="list-style-type: none"> • Support IPv4/IPv6 • Support DHCP/PPPOE/Static IP • Support Static route • Support NAT
Management	<ul style="list-style-type: none"> • Support CTC OAM 2.0 and 2.1 • Support ITUT984.x OMCI • Support WEB • Support TELNET • Support CLI

Product Name	Product Description	Accessories
V2801P	1GE	



V2802PH

1*XPON+1GE+1*2.5GE Built-in ONT(86 Type)

Key Features:

- High performance chip
- 2.5GbE Network Interface
- Compatible with 86-Type Panel
- IPv4/IPv6 Stack

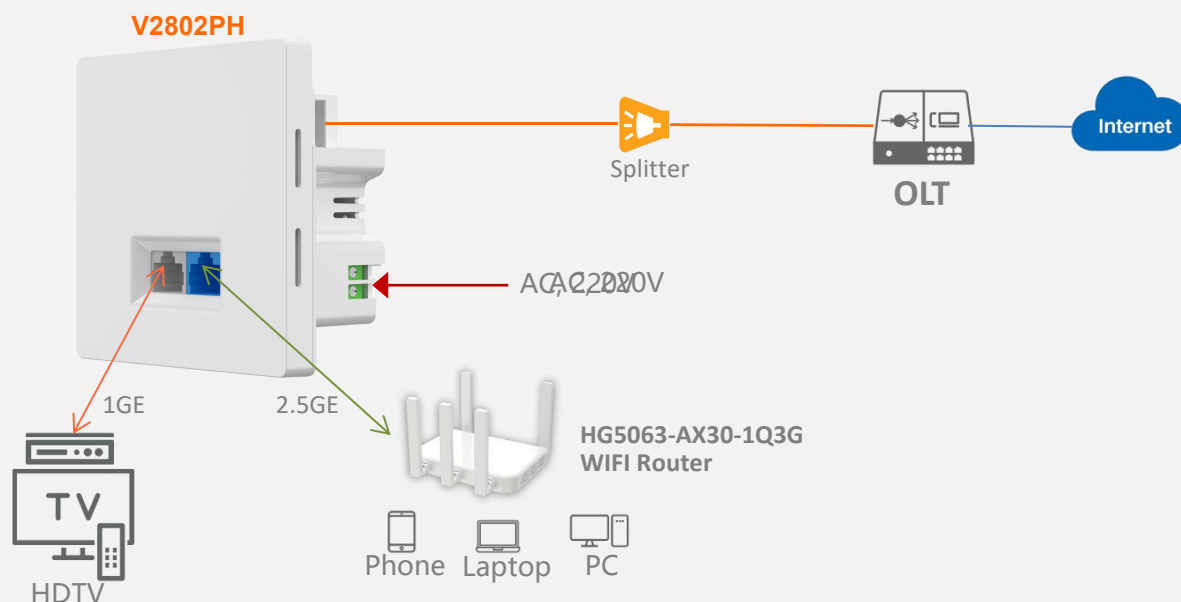
Introduction:

V2802PH (1*XPON+1GE+1*2.5GE Built-in ONT(86 Type)) is a broadband access device specially designed to meet the needs of fixed network operators for FTTH. The panel-type ONU can be easily installed in 86-type electrical boxes on enterprise campuses.

The ONT is based on high-performance chip solutions, supports XPON dual-mode technology (EPON and GPON), and also supports Layer 2/Layer 3 functions, providing data service for carrier-grade FTTH applications. In addition, the ONT also supports the OAM/OMCI protocol, and we can configure or manage various services of the ONT on the VSOL OLT.

The ONT has high reliability, is easy to manage and maintain, and has QoS guarantees for various services. It conforms to a series of international technical standards such as IEEE802.3ah and ITU-T G.984.

Interface Chart:



○ Hardware Parameter

Dimension	86mm×86mm×33.3mm(L×W×H)
Net weight	160g
Operating condition	Operating temp: -10 ~ +55°C Operating humidity: 5 ~ 95% (non-condensing)
Storing condition	Storing temp:-40 ~ +70°C Storing humidity: 5 ~ 95% (non-condensing)
Power supply	100 ~ 240V AC, 50/60Hz
Interface	1GE+1*2.5GE
Indicators	PWR, PON, LOS, WAN, LAN1, LAN2

○ Interface Parameter

PON interface	<ul style="list-style-type: none"> • 1 XPON port(EPON PX20+&GPON Class B+) • SC single mode, SC/UPC connector • TX optical power: 0~+4dBm • RX sensitivity: -27dBm • Overload optical power: -3dBm(EPON) or -8dBm(GPON) • Transmission distance: 20KM • Wavelength: TX 1310nm, RX1490nm
User interface	<ul style="list-style-type: none"> • 1×GE, Auto-negotiation,RJ45 ports • 1×2.5GE ,Auto-negotiation,RJ45 ports
Button	<ul style="list-style-type: none"> • Reset

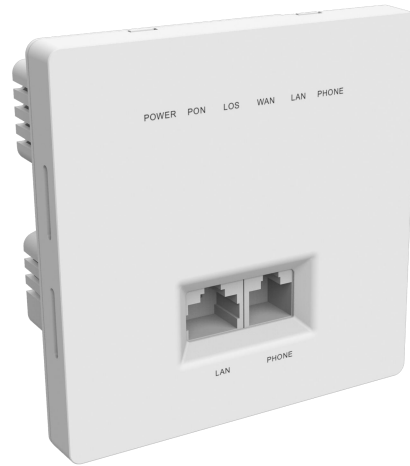
○ Function Data

XPON Mode	Dual mode,Auto-access to EPON/GPON OLT
Uplink Mode	Bridging and Routing Mode
Abnormal protection	Detecting Rogue ONU, Hardware Dying Gasp
Firewall	DDOS, Filtering Based on ACL/MAC/URL

○ Function Data

Basic	<ul style="list-style-type: none"> • Support MPCP discover&register • Support authentication Mac/Loid/Mac+Loid • Support Triple Churning • Support DBA bandwidth • Support auto-detecting, auto-configuration, and auto firmware upgrade • Support SN/Psw/Loid/Loid+Psw authentication
Alarm	<ul style="list-style-type: none"> • Support Dying Gasp • Support Port Loop Detect • Support Eth Port Los
LAN	<ul style="list-style-type: none"> • Support Port rate limiting • Support Loop detection • Support Flow control • Support Storm control
VLAN	<ul style="list-style-type: none"> • Support VLAN tag mode • Support VLAN transparent mode • Support VLAN trunk mode(max 8 vlans) • Support VLAN 1:1 translation mode(≤8 vlans) • Auto VLAN detection
Multicast	<ul style="list-style-type: none"> • Support IGMPv1/v2/Snooping • Max Multicast vlan 8 • Max Multicast Group 64
QOS	<ul style="list-style-type: none"> • Support 4 queues • Support SP and WRR • Support 802.1P
L3	<ul style="list-style-type: none"> • Support IPv4/IPv6 • Support DHCP/PPPOE/Static IP • Support Static route • Support NAT
Management	<ul style="list-style-type: none"> • Support CTC OAM 2.0 and 2.1 • Support ITUT984.x OMCI • Support TR069/WEB/TELNET/CLI

Product Name	Product Description	Accessories
V2802PH	1GE+2.5GE	



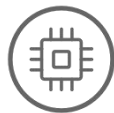
HG322P

1*XPON+1GE+1POTS Built-in ONT(86 Type)

Key Features:



XPON Dual Mode
Auto EPON/GPON Mode



High performance chip



86-Type Panel



SIP Protocol

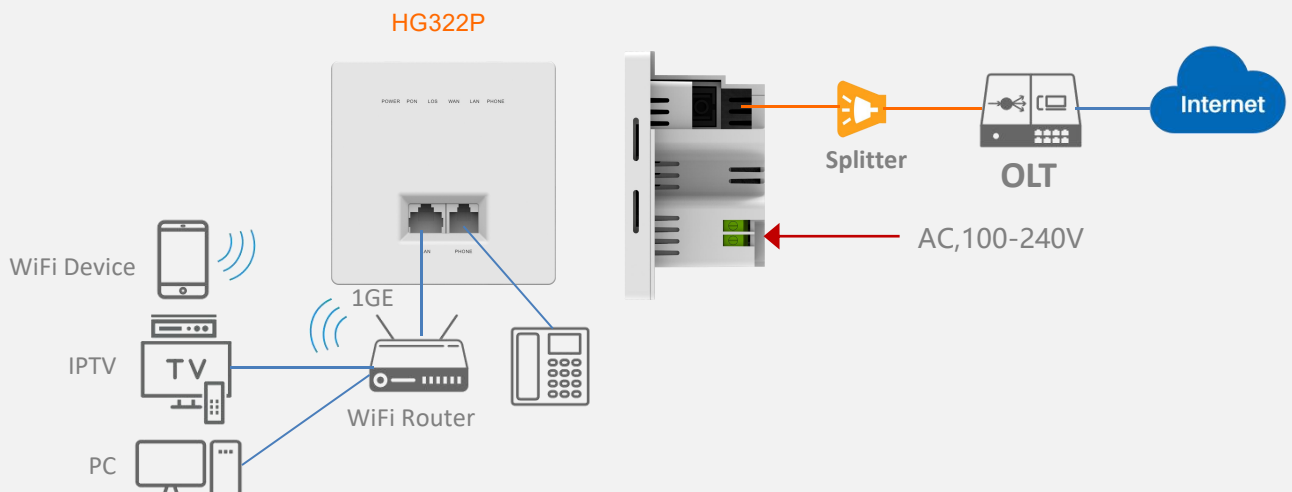
Introduction:

HG322P (1*XPON+1GE+1POTS Built-in ONT(86 Type)) is a broadband access device specially designed to meet the needs of fixed network operators for FTTH and triple play services. The panel-type ONU can be easily installed in 86-type electrical boxes on enterprise campuses.

The ONT is based on high-performance chip solutions, supports XPON dual-mode technology (EPON and GPON), and also supports Layer 2/Layer 3 functions, providing data service for carrier-grade FTTH applications. In addition, the ONT also supports the OAM/OMCI protocol, and we can configure or manage various services of the ONT on the VSOL OLT.

The ONT has high reliability, is easy to manage and maintain, and has QoS guarantees for various services. It conforms to a series of international technical standards such as IEEE802.3ah and ITU-T G.984.

Interface Chart:



○ Hardware Parameter

Dimension	86mm×86mm×33.3mm(L×W×H)
Net weight	185g
Operating condition	Operating temp: -10 ~ +55°C Operating humidity: 5 ~ 95% (non-condensing)
Storing condition	Storing temp: -40 ~ +70°C Storing humidity: 5 ~ 95% (non-condensing)
Power supply	100 ~ 240V AC, 50/60Hz
Interface	1GE+1POTS
Button	RESET
Indicators	POWER,PON,LOS,WAN,LAN,PHONE

○ Interface Parameter

PON interface	<ul style="list-style-type: none"> • 1XPON port(EPON PX20+ and GPON Class B+) • SC single mode, SC/UPC connector • TX optical power: 0~+4dBm • RX sensitivity: -27dBm • Overload optical power: -3dBm(EPON) or -8dBm(GPON) • Transmission distance: 20KM • Wavelength: TX 1310nm, RX1490nm
User interface	<ul style="list-style-type: none"> • 1×GE, Auto-negotiation,RJ45 ports • 1×POTS RJ11 Connector

○ Function Data

Management	OAM/OMCI, Telnet, WEB, TR069
Multicast	<ul style="list-style-type: none"> • Support IGMP v1/v2/v3 • Support IGMP Proxy and MLD Proxy • Support IGMP Snooping and MLD Snooping

○ Function Data

Internet connection	Support Bridge&Routing Mode
VLAN	<ul style="list-style-type: none"> • Support VLAN tag mode • Support VLAN trunk mode • Support VLAN translation
Data Service Functions	<ul style="list-style-type: none"> • Full speed non-blocking switching • 1K MAC address table • 64 full range VLAN ID • Integrated port monitoring, port mirroring, port rate limiting, port SLA, etc • Support auto polarity detection of Ethernet ports (AUTO MDIX) • Integrated IEEE802.1p QoS with four level priority queues • Support IGMP v1/v2/v3 snooping/proxy and MLD v1/v2 snooping/proxy
VoIP	<ul style="list-style-type: none"> • SIP and IMS SIP • G.711a/G.711u/G.722/G.729 Codec • Echo cancellation,VAD/CNG,DTMF Relay • T.30/T.38 FAX • Caller Identification/Call Waiting/Call Forwarding/Call Transfer/Call Hold/3-way Conference • Line testing according to GR-909
QoS	<ul style="list-style-type: none"> • Support 8 queues • Support SP and WRR • Support 802.1P and DSCP
L3	<ul style="list-style-type: none"> • Support IPv4, IPv6 and IPv4/IPv6 dual stack • Support DHCP/PPPOE/Static IP • Support Static route • Support DHCP Server • Support NAT/DMZ/DDNS • Support Virtual Server
Security	<ul style="list-style-type: none"> • Support Firewall • Support Mac filter Based on MAC or URL • Support ACL

Product Name	Product Description	Accessories
HG322P	1GE+1POTS	