



## V3600G1-C

8-Port 10G Combo PON/GPON OLT

### Highlights



High Performance Chipset



100Gbps QSFP28 High-Speed Uplink

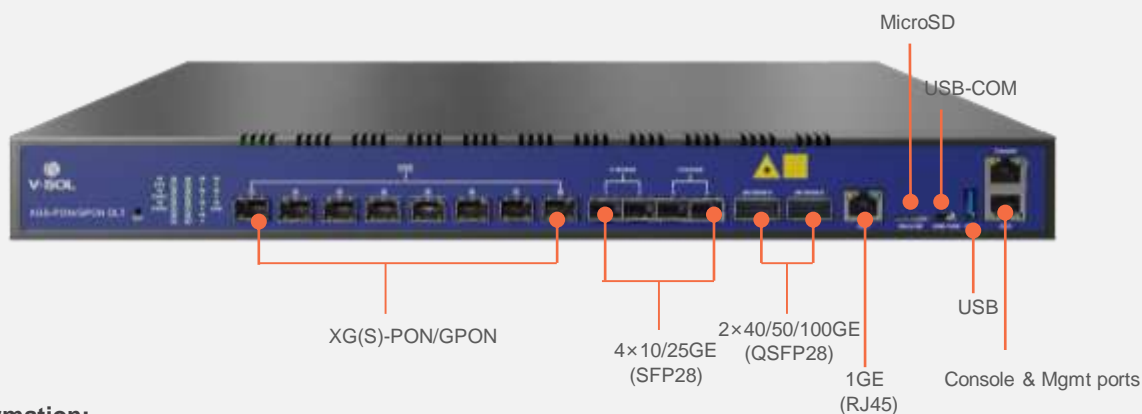


Supports XGS-PON/XG-PON/GPON triple mode for Flexible Networking

### Introduction:

VSOL V3600G1-C is an innovative 10G GPON OLT product with 8 PON ports and XG (S) - PON&GPON Combo compatibility, and also supports single GPON mode, giving customers more networking possibilities and facilitating customers to flexibly choose the appropriate bandwidth access mode according to current application conditions and future business upgrades. In the early stage of construction, customers can choose to consider reducing investment costs and switch any of the 8 PONs to single GPON mode, and then switch to XG(S)-PON&GPON Combo mode according to business needs in the future; they can also choose the smooth upgrade from GPON to XG(S)-PON, and switch to XG(S)-PON&GPON Combo mode in the early stage, considering the stability of the original business during future upgrades. V3600G1-C provides 1\*GE (RJ45) + 4\*25GE (SFP28) + 2\*100GE (QSFP28) uplink ports to achieve full-speed data forwarding and meet the needs of high-bandwidth, high-speed data transmission and large-scale deployment.

### Interface of V3600G1-C:



### Ordering Information:

Product Name	Product Description	Power Configuration	Accessories
V3600G1-C	8*XG(S)-PON/GPON, 1*GE(RJ45)+ 4*25GE(SFP28)+2*100GE(QSFP28)	1*AC power; 2*AC power;	N2_C+ module; Class C++++ module(Single GPON mode); 100GE QSFP28 module; 25GE SFP28 module;

# Technical Specifications

Item		V3600G1-C
Chassis	Rack	1U 19Inch Standard Box
Uplink Port	QTY	8
	RJ45(GE)	1
	SFP28(25GE)	4
	QSFP28(25GE/50GE/100GE)	2
XG(S)-PON/GPON Port	QTY	8
	Physical Interface	SFP+ Slots
	Connector Type	XG(S)-PON&GPON Combo mode: N2_C+
		Single GPON mode: Class B+/C/C+/C++/C+++/C++++
Optical Splitting Ratio	1:256(Maximum), 1:128(Recommended)	
Management Ports		1*10/100/1000BASE-T out-band port, 1*CONSOLE port, 1*USB3.0, 1*Type-C USB console, 1*MicroSD port
Backplane Bandwidth (Gbps)		1960
Port Forwarding Rate(Mpps)		566.928
XG(S)-PON&GPON Combo Port Specification	Transmission Distance	20KM
	XG(S)-PON Port Speed	GPON:Upstream 1.244Gbps,Downstream 2.488Gbps XG-PON: Upstream 2.488Gbps, Downstream 9.953Gbps XGS-PON: Upstream 9.953Gbps, Downstream 9.953Gbps
	Wavelength	GPON:Upstream 1310nm, Downstream 1490nm XG(S)-PON:Upstream: 1270nm Downstream: 1577nm
	Supported PON ports	PON 1~8 (8 PON ports are in XG(S)-PON&GPON Combo mode by default )
GPON Port Specification	Transmission Distance	20KM
	GPON Port Speed	Upstream: 1.244Gbps,Downstream: 2.488Gbps
	Wavelength	Upstream: 1310nm, Downstream: 1490nm
	Supported PON ports	PON 1~8 (Each PON port can be manually hot-switch to GPON mode)
Lightning Protection	Power Lightning Protection	6KV
	Interface Lightning Protection	4KV
Power Supply	AC	Working Voltage Range: 100~240V, Rated Voltage: 110V/220V
Number of Fans		4
Management Mode		CLI(Console/Telnet/SSH)/WEB

## Management Function

- SNMP, Telnet, CLI, WEB, SSH v2;
- Fan Group Control
- Port Status monitoring and configuration management
- Online ONT configuration and management
- User management
- Alarm management

## Layer2 Switch

- 32K Mac address
- Support 4096 VLANs
- Support port VLAN
- Support VLAN tag/Un-tag, VLAN transparent transmission
- Support VLAN translation and QinQ
- Support storm control based on port
- Support port isolation
- Support port rate limitation
- Support 802.1D and 802.1W
- Support static LACP, Dynamic LACP
- QoS based on port, VID, TOS and MAC address
- Access control list
- IEEE802.x flowcontrol
- Port stability statistic and monitoring

## Multicast

- IGMP snooping
- 2048 IP Multicast Groups;

## DHCP

- DHCP server, DHCP relay, DHCP snooping
- DHCP option82

## Layer 3 Route

- ARP proxy
- 4096 hardware Host Routes, 512 hardware Subnet Routes
- Support Radius, Tacacs+
- Support IP source guard
- Support static route ,dynamic route RIP v1/v2, RIPng and OSPF v2/v3;

## IPv6

- Support NDP;
- Support IPv6 Ping, IPv6 Telnet, IPv6 routing;
- Support ACL based on source IPv6 address, destination IPv6 address, L4 port, protocol type, etc;
- Support MLD v1/v2 snooping

## PON Function

- T-CONT DBA
- x-GEM traffic
- In compliant with ITU-T G.9807(XGS-PON) ,ITU-T G.987(XG-PON) and ITU-T 984.x
- Up to 20KM transmission Distance
- Support data encryption, multi-cast, port VLAN, separation, RSTP, etc

- Support ONT auto-discovery/link detection/remote upgrade of software
- Support VLAN division and user separation to avoid broadcast storm
- Support power-off alarm function, easy for link problem detection
- Support broadcasting storm resistance function
- Support port isolation between different ports
- Support ACL and SNMP to configure data packet filter flexibly
- Specialized design for system breakdown prevention to maintain stable system
- Support RSTP, IGMP Proxy

## Dimension (L\*W\*H)

- 442mm\*330mm\*43.6mm

## Weight

- Net weight : 4.8 KG

## Power Consumption

- 150W

## Working Environment

- Working Temperature: -20°C ~+60°C
- Working Humidity: 5%~95%(non-condensing)

## Storage Environment

- Storage Temperature: -40 ~ +70°C
- Storage Humidity: 5%~95%(non-condensing)